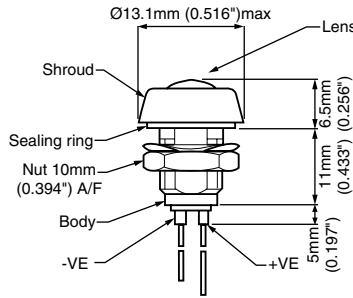


**Panel Sealed
Convex Lens**

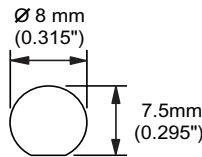
**Single Chip LED
IP68 - Ø8.0**

Features

- Rugged glass and metal construction
- Short body length - ideal for applications where space is critical behind panel
- Panel sealed to IP68
- High intensity options available in all colours including blue and white
- Clear diffused lens
- 60° Viewing angle
- Operating temp -40 to 85°C
- Storage temp -55 to 100°C



Terminations 14 mm (0.551") to 200 mm (0.787") long



Mounting Hole



Ordering Information and Technical Characteristics

| Ordering Information | Colour | Forward Voltage (V) | Current (mA) | Luminous Intensity (mcd) | Reverse Voltage (V) |
|----------------------|--------|---------------------|--------------|--------------------------|---------------------|
| PS/LH/8/RD | Red | 2.2 | 20 | 50 | 5 |
| PS/LH/8/YW | Yellow | 2.2 | 20 | 40 | 5 |
| PS/LH/8/GN | Green | 2.2 | 20 | 50 | 5 |
| PS/LH/8/AlGaAsRD | Red | 1.9 | 20 | 1200 | 5 |
| PS/LH/8/H/YW | Yellow | 2.2 | 20 | 1000 | 5 |
| PS/LH/8/H/GN | Green | 3.6 | 20 | 1250 | 5 |
| PS/LH/8/H/BE | Blue | 3.6 | 20 | 1200 | 5 |
| PS/LH/8/H/WE | White | 3.6 | 20 | 1000 | 5 |

Low Current Range

| Ordering Information | Colour | Forward Voltage (V) | Current (mA) | Luminous Intensity (mcd) | Reverse Voltage (V) |
|----------------------|--------|---------------------|--------------|--------------------------|---------------------|
| PS/LH/8/LC/RD | Red | 1.8 | 2.0 | 2.0 | 5 |
| PS/LH/8/LC/YW | Yellow | 1.9 | 2.0 | 2.0 | 5 |
| PS/LH/8/LC/GN | Green | 1.9 | 2.0 | 3.0 | 5 |

Mean time before failure 90,000 hrs. Low current (LC) models 200,000 hrs

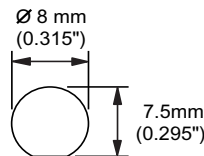
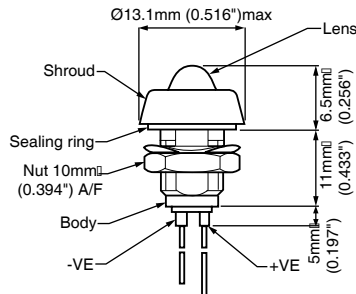
1) Customer specials available on request.

Panel Sealed
Domed Lens

Single Chip LED
IP68 - Ø8.0

Features

- Rugged glass and metal construction
- Short body length - ideal for applications where space is critical behind panel
- Panel sealed to IP68
- High intensity options available in all colours including blue and white
- Clear diffused lens
- 100° Viewing angle
- Operating temp -40 to 85°C
- Storage temp -55 to 100°C



Mounting Hole



Ordering Information and Technical Characteristics

| Ordering Information | Colour | Forward Voltage (V) | Current (mA) | Luminous Intensity (mcd) | Reverse Voltage (V) |
|----------------------|--------|---------------------|--------------|--------------------------|---------------------|
| PS/LH/8/DOM/RD | Red | 2.2 | 20 | 50 | 5 |
| PS/LH/8/DOM/YW | Yellow | 2.2 | 20 | 40 | 5 |
| PS/LH/8/DOM/GN | Green | 2.2 | 20 | 50 | 5 |
| PS/LH/8/DOM/AlGaAsRD | Red | 1.9 | 20 | 1200 | 5 |
| PS/LH/8/DOM/H/YW | Yellow | 2.2 | 20 | 1000 | 5 |
| PS/LH/8/DOM/H/GN | Green | 3.6 | 20 | 1250 | 5 |
| PS/LH/8/DOM/H/BE | Blue | 3.6 | 20 | 1200 | 5 |
| PS/LH/8/DOM/H/WE | White | 3.6 | 20 | 1000 | 5 |

Low Current Range

| Ordering Information | Colour | Forward Voltage (V) | Current (mA) | Luminous Intensity (mcd) | Reverse Voltage (V) |
|----------------------|--------|---------------------|--------------|--------------------------|---------------------|
| PS/LH/8/LC/DOM/RD | Red | 1.8 | 2.0 | 2.0 | 5 |
| PS/LH/8/LC/DOM/YW | Yellow | 1.9 | 2.0 | 3.0 | 5 |
| PS/LH/8/LC/DOM/GN | Green | 1.9 | 2.0 | 2.0 | 5 |

Mean time before failure 90,000 hrs. Low current (LC) models 200,000 hrs

1) Customer specials available on request.

Panel Sealed - Caption Indicator

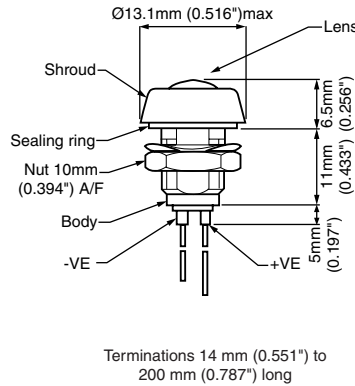
Single Chip LED

Convex Lens

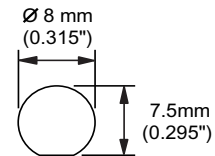
IP68 - Ø8.0

Features

- Rugged glass and metal construction
- Short body length - ideal for applications where space is critical behind panel
- Caption hidden until lit
- Custom captions available to order
- Panel sealed to IP68
- Clear diffused lens
- 60° Viewing angle
- Operating temp -40 to 85°C
- Storage temp -55 to 100°C



(number shown for illustration purpose only)



Mounting Hole

Ordering Information and Technical Characteristics

| Ordering Information | Colour | Forward Voltage (V) | Current (mA) | Luminous Intensity (mcd) | Reverse Voltage (V) |
|-----------------------|--------|---------------------|--------------|--------------------------|---------------------|
| PS/LH/8/CAPT/RD | Red | 2.2 | 20 | 50 | 5 |
| PS/LH/8/CAPT/YW | Yellow | 2.2 | 20 | 40 | 5 |
| PS/LH/8/CAPT/GN | Green | 2.2 | 20 | 50 | 5 |
| PS/LH/8/CAPT/AlGaAsRD | Red | 1.9 | 20 | 1200 | 5 |
| PS/LH/8/CAPT/H/YW | Yellow | 2.2 | 20 | 1000 | 5 |
| PS/LH/8/CAPT/H/GN | Green | 3.6 | 20 | 1250 | 5 |
| PS/LH/8/CAPT/H/BE | Blue | 3.6 | 20 | 1200 | 5 |
| PS/LH/8/CAPT/H/WE | White | 3.6 | 20 | 1000 | 5 |

Mean time before failure 90,000 hrs.

1) Customer specials available on request.

Panel Sealed

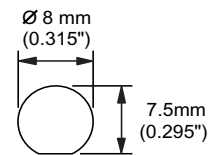
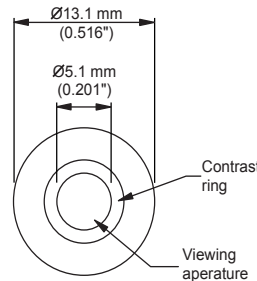
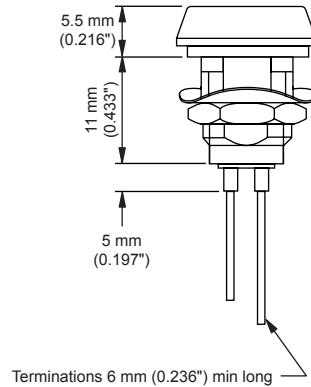
Single Chip LED

Sunlight Viewable

IP68 - Ø8.0

Features

- Rugged glass and metal construction
- Visible up to 100,000 LUX ambient illumination
- Special neutral density lens eliminates reflected sunlight
- Contrast enhancing shroud design
- Panel sealed to IP68
- 30° viewing angle
- Operating temp -40 to 85°C
- Storage temp -55 to 100°C



Mounting Hole

Ordering Information and Technical Characteristics (Ta = 25°C)

| Ordering Information | Colour | Forward Voltage (V) | Current (mA) | Luminous Intensity (mcd) | Reverse Voltage (V) |
|----------------------|--------|---------------------|--------------|--------------------------|---------------------|
| PS/LH/8/RAF/RD | Red | 2.2 | 20 | 15 | 5 |
| PS/LH/8/RAF/YW | Yellow | 2.2 | 20 | 12 | 5 |
| PS/LH/8/RAF/GN | Green | 2.2 | 20 | 15 | 5 |
| PS/LH/8/RAF/AlGaAsRD | Red | 1.9 | 20 | 360 | 5 |
| PS/LH/8/RAF/H/YW | Yellow | 3.6 | 20 | 375 | 5 |
| PS/LH/8/RAF/H/GN | Green | 2.2 | 20 | 300 | 5 |
| PS/LH/8/RAF/H/BE | Blue | 3.6 | 20 | 360 | 5 |
| PS/LH/8/RAF/H/WE | White | 3.6 | 20 | 300 | 5 |

Mean time before failure 90,000 hrs.

- 1) For night vision goggle compatible options please add **RAF/NVG** at the end of the ordering information. e.g. PS/LH/8/RAF/NVG - 10 = Green, 20 = Yellow and 30 = Red.
- 2) RAF - denotes sunlight viewable focused beam source (30°).
- 3) Flying lead terminations available on request - order FLXX, where XX = length of leads in cm
- 4) Customer Specials available on request.

Panel Sealed

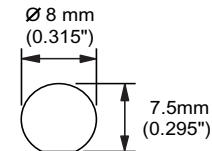
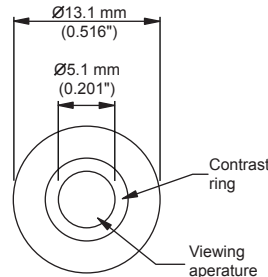
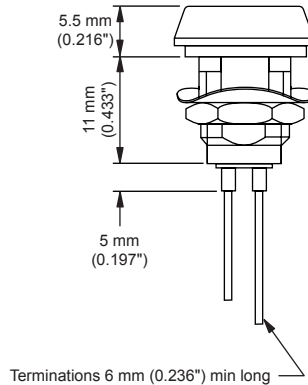
Single Chip LED

Sunlight Viewable

IP68 - Ø8.0

Features

- Rugged glass and metal construction;
- Visible up to 100,000 LUX ambient illumination
- Special neutral density lens eliminates reflected sunlight
- Contrast enhancing shroud design
- Panel sealed to IP68
- 100° viewing angle
- Operating temp -40 to 85°C
- Storage temp -55 to 100°C



Mounting Hole

Ordering Information and Technical Characteristics

| Ordering Information | Colour | Forward Voltage (V) | Current (mA) | Luminous Intensity (mcd) | Reverse Voltage (V) |
|-----------------------|--------|---------------------|--------------|--------------------------|---------------------|
| PS/LH/8/RAPP/RD | Red | 2.2 | 20 | 2 | 5 |
| PS/LH/8/RAPP/YW | Yellow | 2.2 | 20 | 1 | 5 |
| PS/LH/8/RAPP/GN | Green | 2.2 | 20 | 2 | 5 |
| PS/LH/8/RAPP/AlGaAsRD | Red | 1.9 | 20 | 54 | 5 |
| PS/LH/8/RAPP/H/YW | Yellow | 2.2 | 20 | 45 | 5 |
| PS/LH/8/RAPP/H/GN | Green | 3.6 | 20 | 56 | 5 |
| PS/LH/8/RAPP/H/BE | Blue | 3.6 | 20 | 54 | 5 |
| PS/LH/8/RAPP/H/WE | White | 3.6 | 20 | 45 | 5 |

Mean time before failure 90,000 hrs.

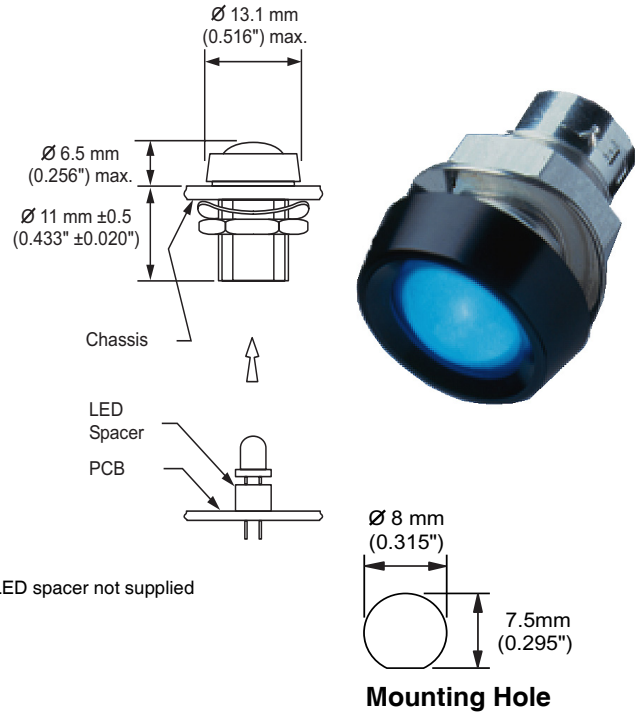
- 1) RAPP - denotes sunlight viewable pinpoint wide (100°) viewing angle.
- 2) For night vision goggle compatible options please add **RAPP/NVG** at the end of the ordering information. e.g. PS/LH/8/RAPP/NVG - 10 = Green, 20 = Yellow and 30 = Red.
- 3) Flying lead terminations available on request - order FLXX, where XX = length of leads in cm
- 4) Customer Specials available on request.

Panel Sealed
Two-Part LED

Single Chip LED
IP68 - Ø8.0

Features

- 2 part construction permits wire-less detachment of front panel
- Rugged glass and metal construction
- Panel sealed to IP68
- Improved equipment reliability, improved solder joints
- Clear diffused lens
- 60° viewing angle.
- Operating temp -40 to 85°C
- Storage temp -55 to 100°C



Ordering Information and Technical Characteristics

| Ordering Information | Colour | Forward Voltage (V) | Current (mA) | Luminous Intensity (mcd) | Reverse Voltage (V) |
|----------------------|--------|---------------------|--------------|--------------------------|---------------------|
| PS/LH/8/LX/RD | Red | 2.2 | 20 | 20 | 5 |
| PS/LH/8/LX/YW | Yellow | 2.2 | 20 | 20 | 5 |
| PS/LH/8/LX/GN | Green | 2.2 | 20 | 20 | 5 |
| PS/LH/8/LX/AIGaAsRD | Red | 1.9 | 20 | 1200 | 5 |
| PS/LH/8/LX/H/YW | Yellow | 2.2 | 20 | 1000 | 5 |
| PS/LH/8/LX/H/GN | Green | 3.6 | 20 | 1250 | 5 |
| PS/LH/8/LX/H/BE | Blue | 3.6 | 20 | 1200 | 5 |
| PS/LH/8/LX/H/WE | White | 3.6 | 20 | 1000 | 5 |

Mean time before failure 90,000 hrs.

- 1) For EMI shielded options please denote **SES** in the ordering information.
e.g. PS/LH/8/SES/LX/AIGaAsRD
- 2) Customer Specials available on request.